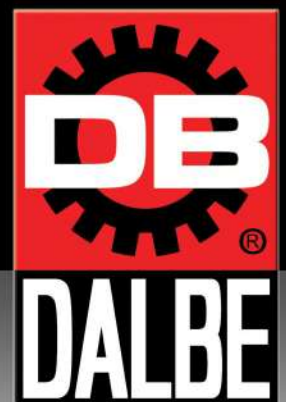


# DB 33



# DB 33

The ideal crane: shaped in a masterly way to match working needs.  
 La gru ideale: plasmata in modo magistrale sulle esigenze del lavoro.

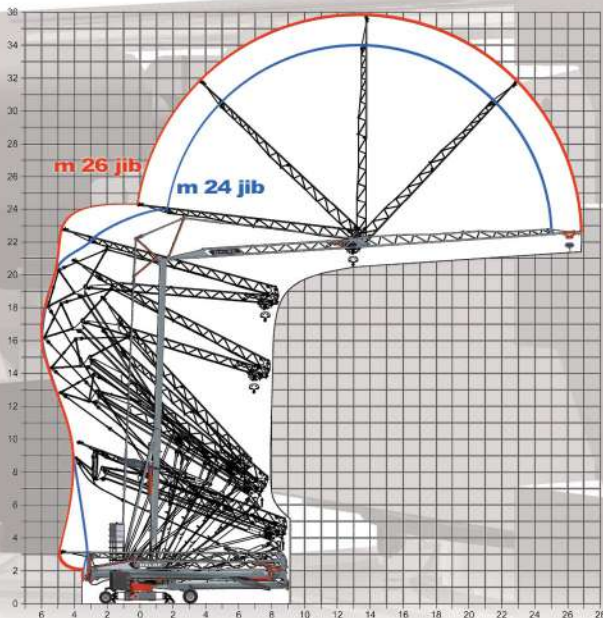


Great height and load capacity,  
 compact transportation size,  
 minimal footprint at the base:  
 top level performance.

Altezza e capacità di carico elevate,  
 dimensioni al trasporto compatte,  
 ingombri alla base ridottissimi:  
 efficienza al top.

STANDARD FEATURES

- REMOVABLE BALLAST**
- SSM**
- ASD**
- All Systems Down  
 maintenance at ground level
- QLS**
- Quick Load  
 Limiters Setting



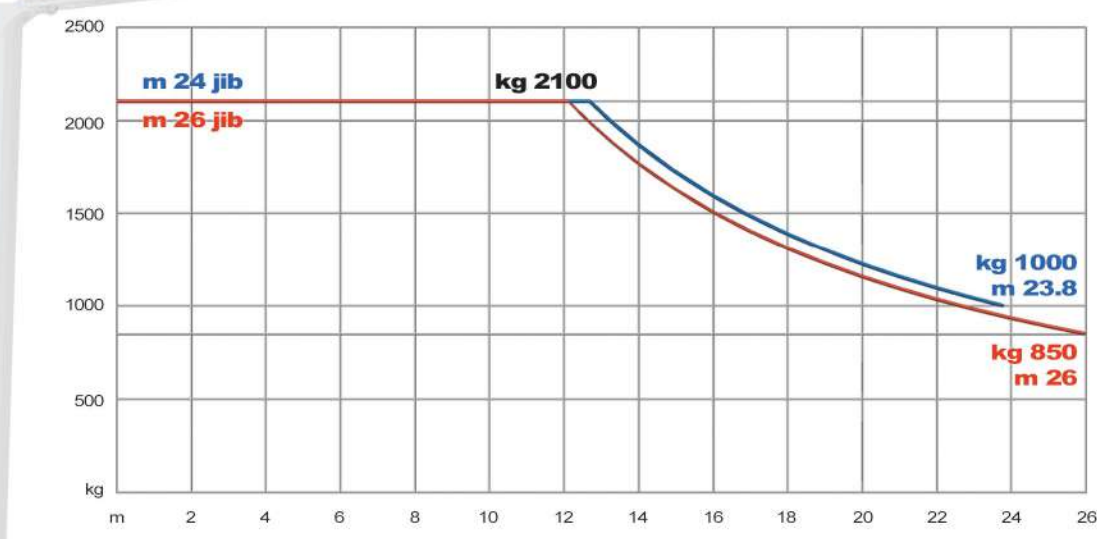
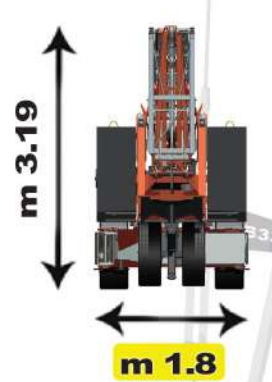
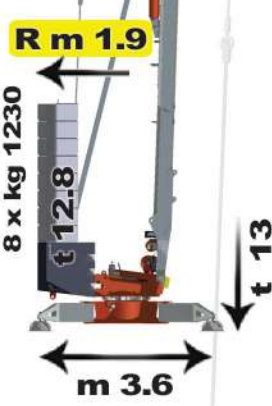
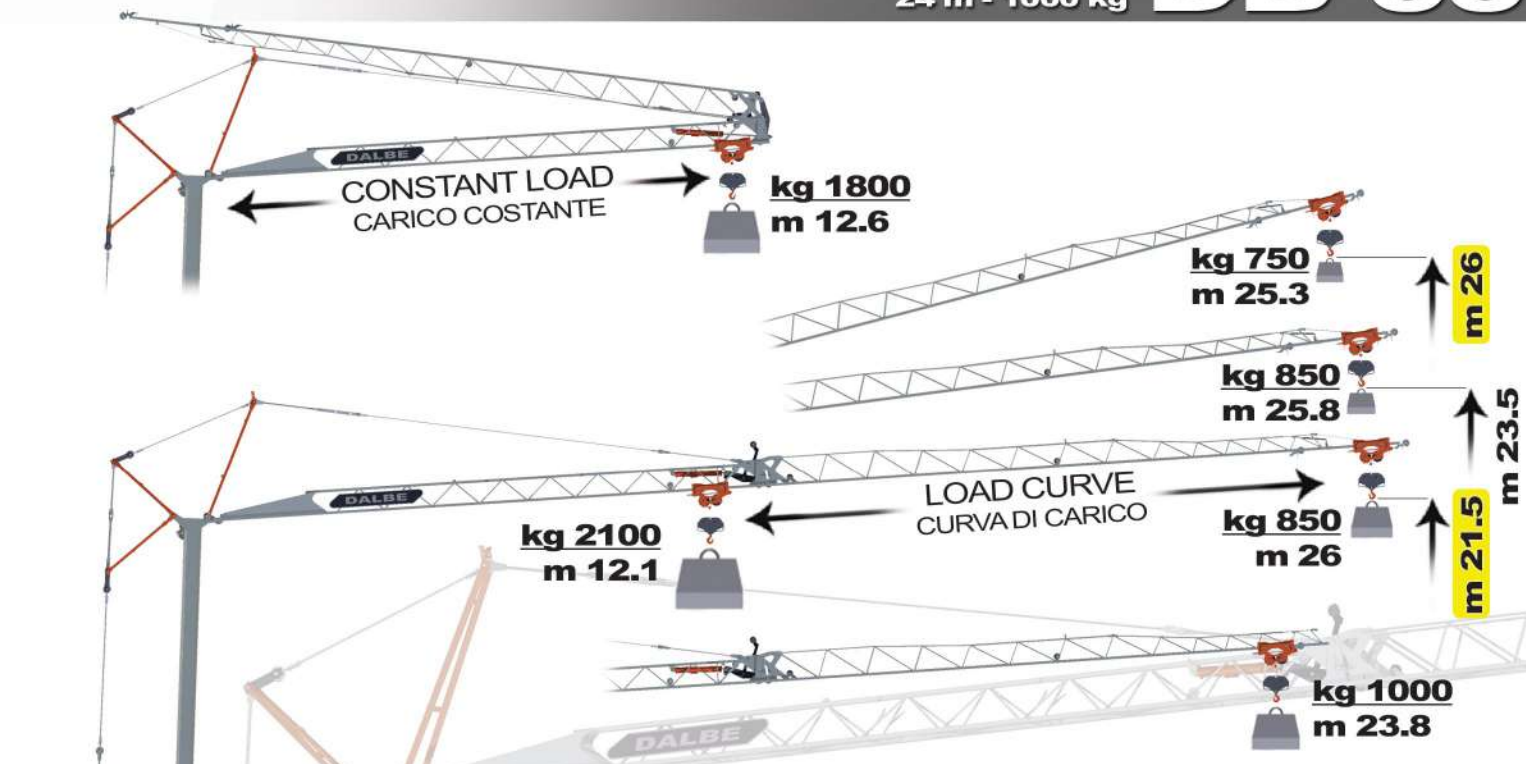
crane and complete ballast on 1 truck  
 gru e zavorra completa su 1 camion



Icon	DB 33 V				DB 33 X											
	Three-Phase Trifase		400 V 9.1 kVA		Three-Phase Trifase		400 V 9.1 kVA		Single-Phase Monofase		230 V 6 kW		230 V 4.5 kW		230 V 3 kW	
		m / min	kg		m / min	kg		m / min	kg	m / min	kg	m / min	kg	m / min	kg	
Vertical movement	1	5	2100	1	5	2100	1	5	2100	5	2100	5	2100	5	2100	
	2	2 <sup>nd</sup> SPEED AUTO SELECTION	20	2100	2	20	2100	2	2 <sup>nd</sup> SPEED AUTO SELECTION	14	1800	14	1250	11	1250	
	2+		23	1800	2+	23	1800	2+	SELECTION	24	750	21	750	16	750	
Horizontal movement	3	VARIOMATIC	32	1250	3	32	1250	3	3 <sup>rd</sup> SPEED AUTO SELECTION	30	500	26	500	22	500	
	3+		42	750	3+	42	750	3+		42	250	38	250	34	250	
	ELECTRONIC				ELECTRONIC				ELECTRONIC				ELECTRONIC			
Rotation	1	0	19	2100	1	0	19	2100								
	2	0	38	1250	2	0	38	1250								
Pitch	ELECTRONIC				ELECTRONIC											
	rpm			rpm												
Power	1	0	0.4		1	0	0.4									
	2	0	0.9		2	0	0.9									
1.84 kW	ELECTRONIC				ELECTRONIC				ELECTRONIC				ELECTRONIC			
	1.84 kW				1.84 kW				1.84 kW				1.84 kW			

26 m - 850 kg  
24 m - 1000 kg

# DB 33



SOME OPTIONALS

<p>LOAD 17m MOMENT WIND SPEED BASE TILTING TROLLEY POS. SLEW POS. SMART FUNCT.</p>	<p>DBLink+ <b>4.0</b></p>	<p>ANEMOMETER ANEMOMETRO</p>	<p>CRANE JACK MARTINETTO</p>	<p>STEERING REAR AXLE ASSALE POST. STERZANTE</p>
--	-------------------------------	----------------------------------	----------------------------------	--

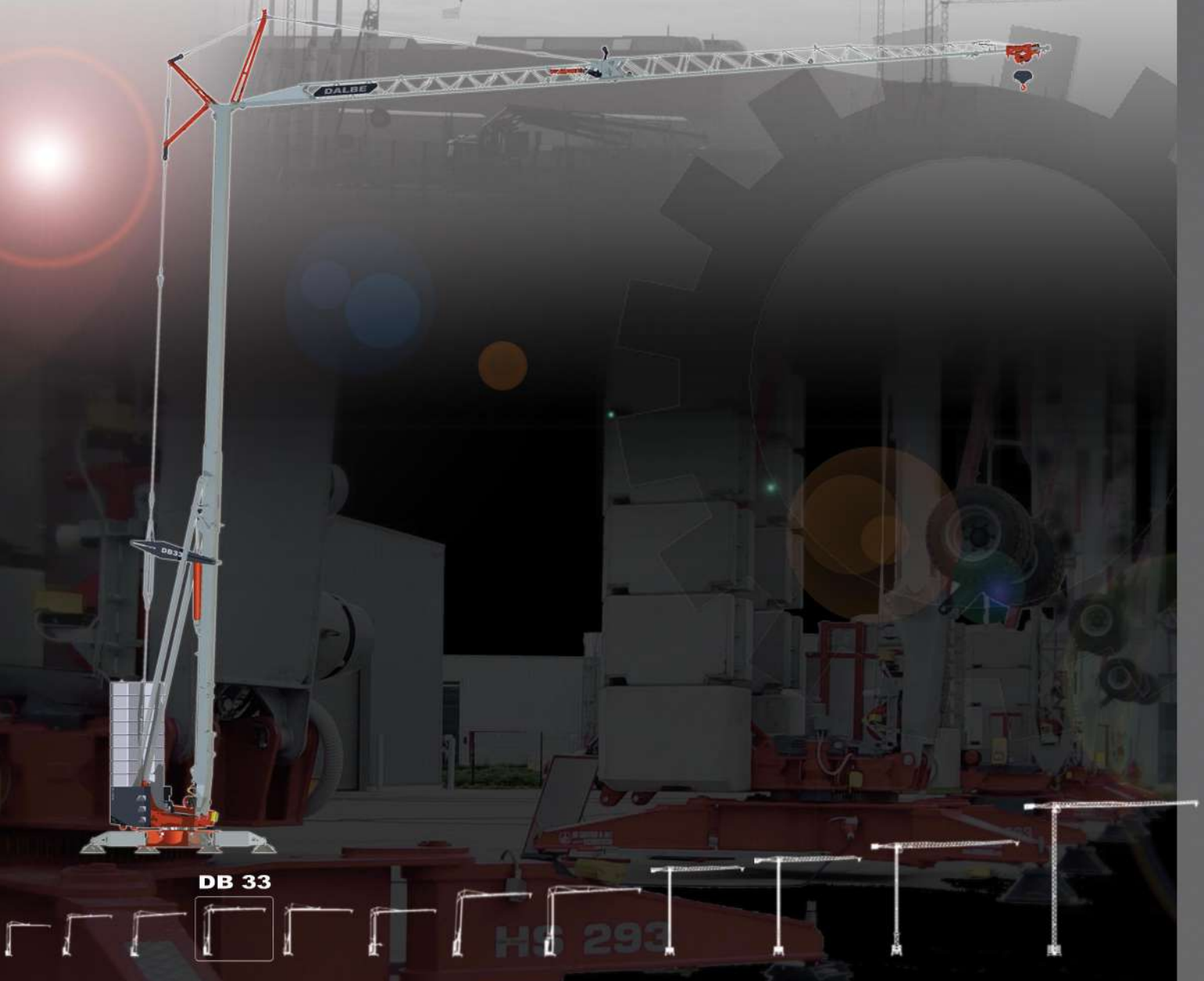
ASK FOR COMPLETE LIST OF STANDARD AND OPTIONAL FEATURES  
CHIEDERE PER LISTA COMPLETA DOTAZIONE E ACCESSORI



DIN 15018 - H1 B2/B3 - 15019 - 18800 (€) EN 14439 C25 - D25

I dati e le misure hanno un valore indicativo, pertanto non sono impegnativi - Technical data are not binding and are only indicative.

*We wish you many happy lifting hours!*



**DB 33**

  MANUFACTURED IN ITALY WITH EUROPEAN MATERIALS AND COMPONENTS  
MACCHINA COSTRUITA IN ITALIA CON MATERIALI E COMPONENTI EUROPEI



**the crane professionals**



**GRU DALBE** srl  
via Europa, 84 - 21015 Lonate P. - VA - Italy  
Tel +39 03 31 66 84 25 r.a.  
Fax +39 03 31 66 87 62  
db@grudalbe.com



**www.dalbecranes.com**

AGENTE DI ZONA